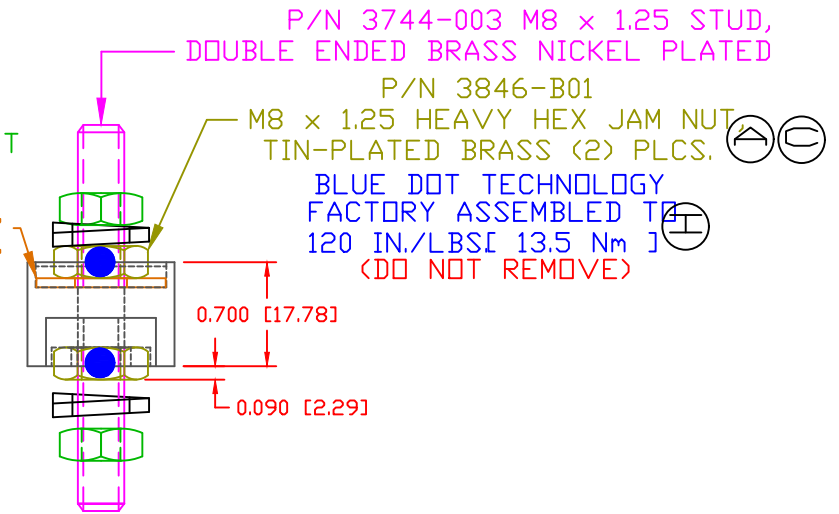
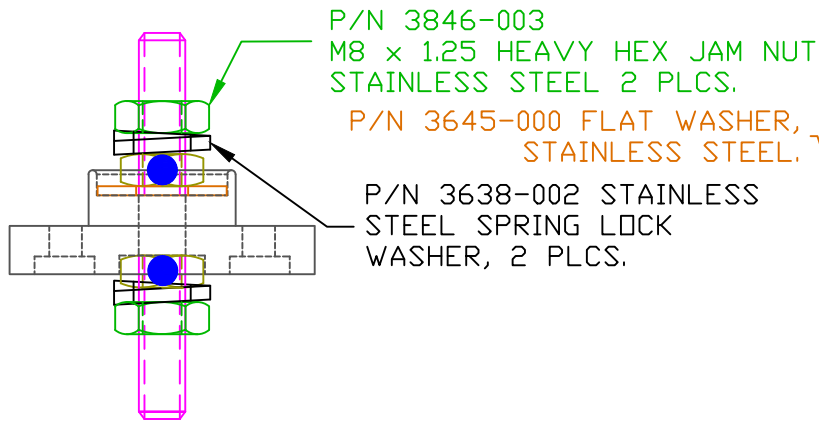
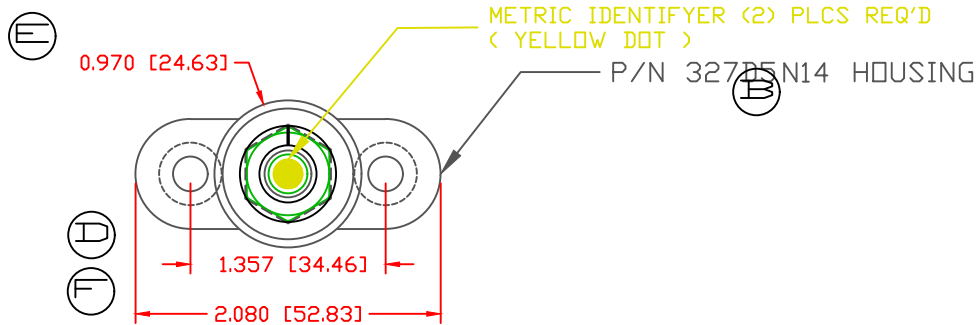


THE INFORMATION CONTAINED IN THIS DRAWING IS THE SOLE PROPERTY OF VTE INCORPORATED. ANY REPRODUCTION IN PART OR WHOLE WITHOUT THE WRITTEN PERMISSION OF VTE INCORPORATED IS PROHIBITED. VTE MAKES NO WARRANTY, EXPRESSED OR IMPLIED, AS TO THE SUITABILITY OF A PRODUCT FOR ANY INTENDED USE. THE CUSTOMER SHALL BEAR THE SOLE RESPONSIBILITY OF DETERMINING THE SUITABILITY OF ANY VTE PRODUCT FOR ITS END USE.

LTR.	REVISIONS	DATE	INT.
A	REVISED PART# 3646-001 TO PART# 3846-001	3-15-17	RAS
B	UPDATED PART NUMBER FROM 327D3N14	04-27-17	RAS
C	UPDATED PART NUMBER FROM 3846-001	06-01-17	RAS
D	UPDATED DIMENSION FROM 1.314	7-27-17	RAS
E	UPDATED DIMENSION FROM .990	7-27-17	RAS
F	UPDATED DIMENSION FROM 2.054	7-27-17	RAS
G	UPDATED MATERIAL PART #	9-08-17	RAS
H	ADDED ELECTRICAL VALUES	6-21-19	RAS
I	UPDATED TORQUE VALUES	07-01-20	EJE



CURRENT CARRYING CAPACITY: 80%  
 DUTY CYCLE: 3.9 Kw (325 AMP @ 12VDC)  
 CURRENT CAPACITY: 5.0 Kw (422 AMP @ 12VDC)  
 TEMPORARY MAX (12 MINUTES)

SCALE FACTOR : NONE  
 ALL DIMENSIONS GIVEN AS: in [mm]  
 TOLERANCES UNLESS OTHERWISE SPECIFIED :  
 MOLDED PARTS: ±.030" [±0.8mm]  
 HARDWARE ITEMS: ±.010" [±0.25mm]

INCLUDES P-16808110001 BLUE DOT MULTI LABEL, 1 PER CONTAINER

MATERIAL PART NO: 1111210514UL  
 MATERIAL: GLASS FILLED NYLON  
 VENDOR PART NO: NYLON N2015 HL BK  
 SPECIFIC GRAVITY: 1.23  
 MELTING TEMP: 515 F [268 C]  
 U.L. RATING: UL 94 HB

MAXIMUM RECOMMENDED TORQUE: 102 IN./LBS [11.5 Nm]

DO NOT SCALE

		<b>VTE Incorporated</b> 5437 Robinson Road, P.O. Box 790 Pellston, Michigan 49769 Telephone: 1-800-527-9256, 231-539-8000 FAX: 231-539-0914	
		REF: CUSTOMER	DATE: 09MAR17
TITLE: M8 PASSTHROUGH JUNCTION STUD		CHK'D BY: RAS	
MATERIAL: GLASS FILLED NYLON		PART NO: 77208N14	
COLOR: BLACK	DRG CLASS: REV I		